

Easidew PRO I.S.

Intrinsically Safe Dew-Point Transmitter



The Easidew PRO I.S. is a rugged intrinsically safe 2-wire dew-point transmitter for trace moisture measurement in liquids and gases. It is certified for use in Class 1 Div 1 Groups A,B,C and D, EXII 1G EX ia IIC T4 and I.S. I 1 ABCD T4 ($T_a = +60^\circ\text{C}$) hazardous area locations.

Highlights

- $\pm 1^\circ\text{C}$ / $\pm 1.8^\circ\text{F}$ accuracy
- Moisture in gases or liquids capability
- 2-wire connection
- Output configurable in ppm_v and ppm_w moisture content

Simple Operation

The Easidew Pro I.S. is easy to install and operate. It requires a 12 to 28 V DC supply and provides a linear 4-20 mA signal representing moisture content.

Moisture in Gases

The output can be configured by the customer, using simple software, to any range within -100 to $+20^\circ\text{C}$, or -148 to $+68^\circ\text{F}$ dew point, or 0 - $3,000 \text{ ppm}_v$ in gases. As the Easidew Pro I.S. responds to water vapour pressure in the gas sample, it will give the user an accurate determination of the actual dew-point at pressure up to $40 \text{ MPa}/400 \text{ BarG}$ (5802 psig). Flow rate is not critical to measurement accuracy (1 to 5 Nlmin / 2.1 to 10.5 scfh), though speed of response will be improved by operating a higher sample flow.

Moisture in Liquids

In addition to its moisture in gases capabilities the Easidew PRO I.S. can be used to monitor moisture in non-polar liquids. The Easidew PRO IS is factory programmed to provide an output in ppmw . This requires the saturation constants of the liquid to be programmed into the transmitter either at the factory or by the user, using the application software, available as a free download from www.michell.com

Technical Specifications

Performance

Measurement range (dew point)	-100 to $+20^\circ\text{C}$ / -148 to $+68^\circ\text{F}$ dew point
Accuracy (dew point)	$\pm 1^\circ\text{C}$ / $\pm 1.8^\circ\text{F}$ dew point ($+20$ to -59.9°Cdp) / ($+68$ to -75.8°F) $\pm 2^\circ\text{C}$ / $\pm 3.6^\circ\text{F}$ dew point (-60 to -100°C) / (-76 to -148°F)
Response time	5 mins to T95 (dry to wet)
Repeatability	0.5°C / 0.9°F dew point

Electrical output/input

Output signal	4-20 mA (2-wire connection, current source). User configurable over range
Output	Dew point, moisture content for ppm_v , ppm_w
Output range	Dew point: -100 to $+20^\circ\text{C}$ / -148 to $+68^\circ\text{F}$ Moisture content in gas: 0 - 3000 ppm_v Moisture content in liquid: 0 - 3000 ppm_w
Supply voltage	12-28 V DC
Load resistance	Max 250Ω @ 12 V; 500Ω @ 24 V
Current consumption	Max 23 mA depending on output signal
Saturation constants (For moisture in liquids measurements only)	6-point look-up table for saturation constants up to 3000 ppm_w over the temperature range 0 to 50°C . Saturation constants for 8 common liquids can be programmed into the Easidew PRO I.S. via the application software. Alternatively the user can program saturation constants manually.

Operating conditions

Operating humidity	0-100% RH
Operating temperature	-40 to $+60^\circ\text{C}$ / -40 to $+140^\circ\text{F}$
Operating pressure	45 MPa (450 barg / 6500 psi) max
Flow rate	1 to 5 Nl/min (2.1 to 10.5 scfh) mounted in standard sampling block; 0 to 10 m/sec (0 to 32.8 ft/sec) direct insertion

Mechanical specification

Hazardous Area Certificates	ATEX - Ex II 1G EX ia IIC T4 FM - I.S. I 1 ABCD T4 ($T_a = +60^\circ\text{C}$) CSA - IS Class 1 Div 1 Groups ABCD T4 IECEx - EX ia IIC T4 ($-20^\circ\text{C} < T_a < +60^\circ\text{C}$)	
Ingress protection	IP66 in accordance with standard BS EN 60529:1992, and NEMA 4 in protection accordance with standard NEMA 250-2003	
Housing material	Stainless steel	
Filter	$80 \mu\text{m}$ sintered guard HDPE Guard $<10 \mu\text{m}$ (optional)	
Weight	1.27 kg / 2.8 lbs	
Electrical connections	Screw terminal, M20 x 1.5mm	
Fault conditions (factory programmed)	Condition	Output
	Sensor fault	23 mA
	Under-range dew point	4 mA
	Over-range dew point	20 mA
Approved galvanic isolators	KFD2-CR-EX1.20200 KFD2-CR-EX1.30200 KFD0-CS-EX1.50P KFD0-CS-EX2.50P KFD2-STC4-EX1.H MTL5041, MTL5040	

Easidew PRO I.S.

Options and Accessories

Panel Meter An economical panel meter with digital display, analog outputs and dual alarm relays. Display and output configurable as dew point (°C or °F) or ppm moisture content. **EA2-OL-100**

Easidew Sampler A self-contained sampling system, with filtration and flow control, for measurement of pressure or atmospheric dew point **EA2-SAM**

Sample Block Stainless Steel sample block to contain Easidew Transmitter, with 1/8" NPT ports **CSB**

Wall-mounting bracket Bracket to allow Easidew PRO I.S. to be mounted on a wall or plate **EPR-BRK**

Optional HDPE Guard Pack of 10 HDPE Guards to replace sintered guard **EA2-HDPE-10**

Galvanic Isolator KFDO-CS-ED1.50p galvanic isolator to allow connection of the Easidew PRO I.S. complying with ATEX, FM or CSA regulations **9934042**

Replacement Sintered Guard Stainless Steel sintered guard, for protection of ceramic sensor **9980237**

Easidew Communication Kit For connection to Easidew Transmitter and reconfiguration of range and output via Michell Configuration Software **EA2-CK**

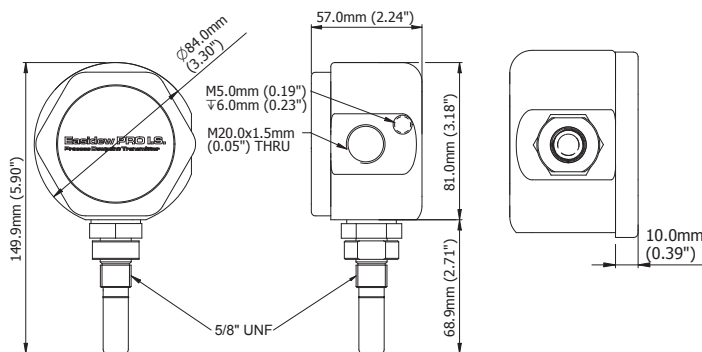
Cable Entry Adaptors To allow cable entry connection to 1/2" NPT or 1/2 BSP in brass or stainless steel.

M20 to 1/2" NPT Brass	CEA-M20-NPT-B
M20 to 1/2" NPT Stainless Steel	CEA-M20-NPT-SS
M20 to 1/2 BSP Brass	CEA-M20-BSP-B
M20 to 1/2 BSP Stainless Steel	CEA-M20-BSP-SS

Electrical Connections

4-20mA connections 2-wire	
Pin 1	4-20 mA
Pin 3	POWER

Dimensions



Order Codes

Order codes	Product description											
EPR-IS {W} {X} {Y}{Z}	Easidew PRO I.S. for gas											
	Order code	Description										
Non-standard ranges	W	Zero value										
	X	Full scale values										
	Y	Units (C= °Cdp; F= °Fdp; P= ppm _v)										
Pressure other than atmospheric	Z	Pressure for ppm _v conversion in barg / psi.										
	Blank	0 barg / 0 psi										
EPR-LQ-IS {W} {X} {Y}{Z}	Easidew PRO I.S. for liquid											
	Order code	Description										
Non-standard ranges	W	Zero value										
	X	Full scale values										
	Y	Units (C= °Cdp; F= °Fdp; P= ppm _v)										
Saturation constants for	Z	<table border="0"> <tr> <td>1 = Ethylene</td> <td>6 = Cyclopentane</td> </tr> <tr> <td>2 = Butane</td> <td>7 = 2-Butene</td> </tr> <tr> <td>3 = Isobutene</td> <td>8 = Isopentane</td> </tr> <tr> <td>4 = Pentane</td> <td>9 = User Programmed</td> </tr> <tr> <td>5 = 1-Butene</td> <td></td> </tr> </table>	1 = Ethylene	6 = Cyclopentane	2 = Butane	7 = 2-Butene	3 = Isobutene	8 = Isopentane	4 = Pentane	9 = User Programmed	5 = 1-Butene	
1 = Ethylene	6 = Cyclopentane											
2 = Butane	7 = 2-Butene											
3 = Isobutene	8 = Isopentane											
4 = Pentane	9 = User Programmed											
5 = 1-Butene												

Ordering examples:

Standard product: EPR-IS

Non-standard product: EPR-IS -60 / 20°C: Easidew PRO I.S. with range -60 to +20°C @ 0 barg

EPR-IS -78 / 68°F: Easidew PRO I.S. with range -78 to +68°F @ 0 barg

EPR-LQ-IS-0/1000 P 2: Easidew PRO I.S. for moisture in liquids set to 0-1000 ppm_w in butane

Please note: Michell Instruments adopts a continuous development program which sometimes necessitates specification changes without notice. Please contact us for latest version. Ref: Easidew PRO IS_97208_V3.1_UK_0910